

eBOX671A NEW

Fanless Embedded System with LGA1200 Socket 10th Gen Intel® Xeon®/Core™ i9/i7/i5/i3 or Celeron® Processor, Intel® W480E, 2 HDMI, DisplayPort, 6 USB, 4 LAN, and 9 to 48 VDC

Features

- LGA1200 10th gen Intel® Xeon®/Core™ i9/i7/i5/i3 or Celeron® with Intel® W480E chipset (Comet Lake-S)
- Dual 2.5" SATA HDD drive bays with RAID 0 & 1
- 2 HDMI and 1 DisplayPort for triple view
- TPM 2.0 onboard
- -40 °C to 70 °C wide range operation temperature
- Wide range power input from 9 to 48 VDC
- 4 GbE LAN with optional PoE supported
- Two 10GbE LAN (X550-T2) by request



Specifications

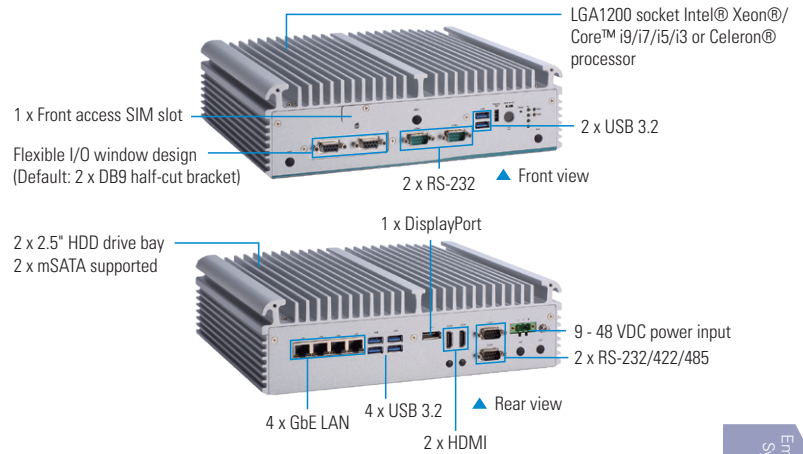
Standard Color	Silver
Construction	Aluminum extrusion and heavy-duty steel, IP40
CPU	LGA1200 socket 10th gen Intel® Xeon®/Core™ i9/i7/i5/i3 or Celeron® processor (35W/65W)
System Memory	2 x 260 pin DDR4-2933 ECC*/non-ECC SO-DIMM, up to 64GB *ECC memory is available with Intel®Xeon® processor
Chipset	Intel® W480E
BIOS	AMI
System I/O Outlet	<p>Rear side:</p> <ul style="list-style-type: none"> 1 x DC-in Phoenix type 2 x HDMI 1.4b (lockable) 1 x DisplayPort 1.2 ++ 3 x USB 3.2 Gen2 1 x USB 3.2 Gen1 4 x GbE (PoE*) (3 x Intel® I210-IT, 1 x Intel® I219-LM) 2 x RS-232/422/485 2 x Antenna opening <p>Front side:</p> <ul style="list-style-type: none"> 1 x Power button 1 x AT/ATX quick switch 2 x USB 3.2 Gen2 1 x Remote switch 1 x Front access SIM slot with cover 1 x Reset button 2 x RS-232 3 x Antenna opening 1 x Flexible I/O window 2 x 10GbE (X550-T2) by request
Watchdog Timer	255 levels, 1 to 255 sec.
Storage	2 x 2.5" SATA HDD/SSD (up to 9.5 mm height) 2 x mSATA (enabled in BIOS setting)
Expansion Interface	2 x Full-size PCI-Express mini card slot (USB + PCIe + SATA signal) 2 x SIM slot 1 x M.2 Key B 3050 (for 5G)
TPM	TPM 2.0
System Indicator	1 x Green LED for system power 1 x Orange LED for HDD active 4 x Programmable Green LED
Power Input	9 to 48 VDC
Operating Temperature	-40°C to 70°C (40°F to +158°F W.T. DRAM & SSD, CPU TDP 35W) -40°C to 60°C (40°F to +140°F W.T. DRAM & SSD, CPU TDP 65W)
Humidity	10% - 90%, non-condensing
Shock Vibration	IEC 60068-2-27 (w/ SSD: 50G, half-sine, 11 ms duration)
Vibration Endurance	IEC 60068-2-64 (w/ SSD: 3Grms STD, random, 5 - 500 Hz, 1 hr/axis)
Dimensions	280 mm (11.02") (W) x 210 mm (8.26") (D) x 80.5 mm (3.16") (H)
Weight (net/gross)	4.9 kg (10.8 lb)/7 kg (15.43 lb)
Certifications	CE, FCC Class A
EOS Support	Win 10 IoT, Linux

* PoE IEEE802.2at, up to 60W

** W.T.: Wide Temperature. All W.T. supported products have to be sorted by Axiomtek.

Updated Mar. 17, 2022.

* All specifications and photos are subject to change without notice.



Packing List

- 1 x Thermal grease
- 1 x 3-pin terminal block connector
- 1 x Remote switch cable
- 4 x Foot pad
- 1 x M.2 bracket + 2 x thermal pad + screws
- 2 x HDD bracket + screws

Power Protection

- DC Version**
- OVP (over voltage protection)
 - UVP (under voltage protection)
 - OC (over current protection)
 - SCP (short circuit protection)
 - Reserve protection

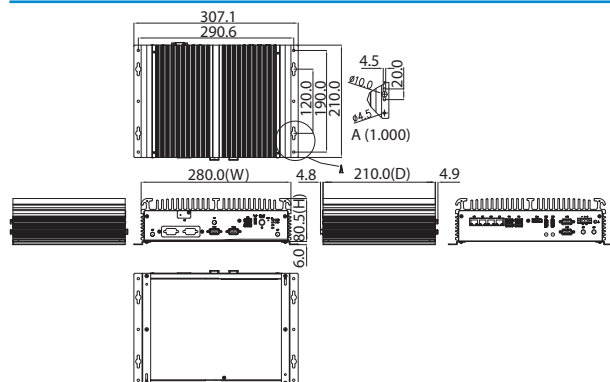
Ordering Information

Standard	
eBOX671A-CML-GbE	Fanless embedded system with LGA1200 socket 10th gen Intel® Xeon®/Core™ i9/i7/i5/i3 or Celeron® processor, Intel® W480E, 2 HDMI, DisplayPort, 6 USB, 4 LAN, and 9 to 48 VDC
eBOX671A-CML-PoE	Fanless embedded system with LGA1200 socket 10th gen Intel® Xeon®/Core™ i9/i7/i5/i3 or Celeron® processor, Intel® W480E, 2 HDMI, DisplayPort, 6 USB, 4 PoE, and 9 to 48 VDC (preliminary)

Optional	
2.5" SATA HDD	80GB or above
2.5" SATA SSD	100GB or above
DDR4 SO-DIMM	4GB to 32GB
mSATA	64GB or above
8816K6718A0E	Wall mount kit
886K671A0A0E	DIN-rail kit
	3G/LTE/5G module
50906D24000E	24V 120W power adapter
	Power cord
E392903102	AX92903 CANbus PCI Express Mini module
E392902103	AX92902 LAN PCI Express Mini module
E392918103	AX92918 Dual LAN PCI Express Mini module
59000002700	DIO cable, L=20 cm

* Specifications and certifications may vary based on different requirements.

Dimensions



www.axiomtek.com © 2022 Axiomtek Co., Ltd. All rights reserved.